



WHITES

Tel +44 (0) 117 972006

www.whitesmh.co.uk

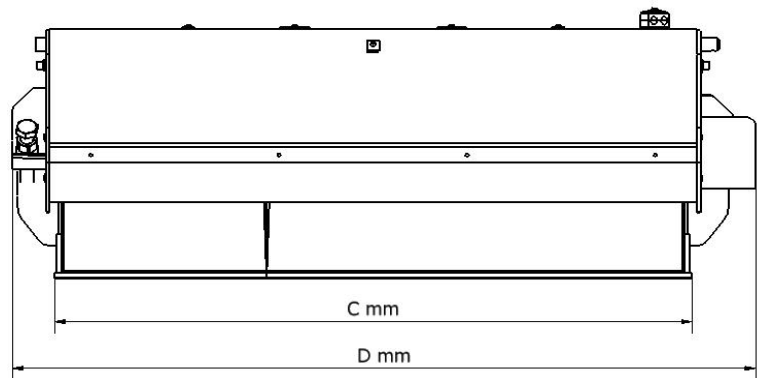
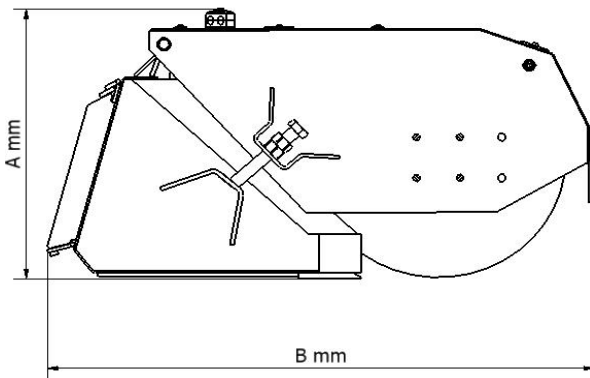
BROOM BUCKETS

FOR SKID STEERS, TELESCOPIC HANDLERS AND ALL WHEELED AND TRACKED LOADERS



- Heavy duty construction
- Powerful direct drive motor
- Large diameter shafts and bearings for long trouble free life
- Supplied with polypropylene bristles as standard
- Choice of bristles materials available
- Optional bolt on reversible cutting edge
- Minimum flow required please apply for details

PART NO.	NOMINAL SIZE		BRISTLES QTY	BRISTLE SIZE	WT Kg	MAX FLOW LPM	DIMENSIONS			
	in	mm					A	B	C	D
BB-1C-1070	42	1070	24	500	155	60	580	1045	1070	1323
BB-1C-1120	44	1120	25	500	160	60	580	1045	1120	1373
BB-1C-1220	48	1220	28	500	250	60	580	1045	1220	1473
BB-2C-1380	54	1380	31	500	275	70	645	1150	1380	1631
BB-2C-1525	60	1525	32	500	302	70	645	1150	1525	1776
BB-3C-1525	60	1525	32	600	332	90	683	1309	1525	1778
BB-3C-1680	66	1680	36	600	342	90	683	1309	1680	1933
BB-3C-1850	73	1850	39	600	352	90	683	1309	1850	2103
BB-3C-2080	82	2080	42	600	389	90	683	1309	2080	2333
BB-3C-2140	84	2140	46	600	410	100	710	1340	2140	2400
BB-3C-2290	90	2290	48	600	490	100	710	1340	2290	2550
BB-3C-2500	98	2500	57	600	580	100	710	1340	2500	2760



ACCESSORIES

PART NO	DESCRIPTION
SI-00	SIDE SWEEPER KIT
SK-3C-BKT	DUST SUPPRESSION KIT



